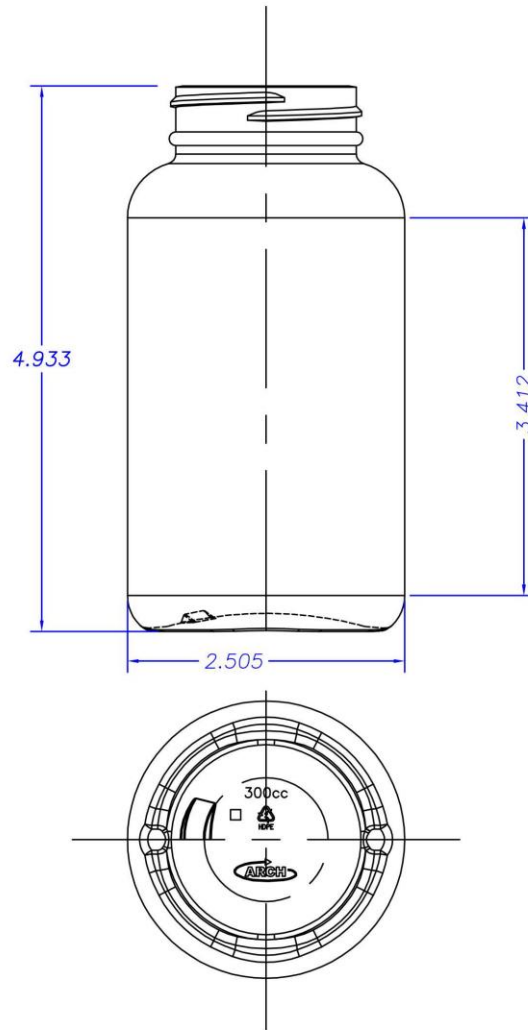


Date Created: 3/16/23

## Bottle Data Sheet

### 300cc HDPE Round



**ARCH # 003202-XXXX**

**MOLD # 14119-N (Total 8 cavities)**

**RESIN & COLORANT: FDA COMPLIANT**

**OVERFLOW CAPACITY:  $322.59 \pm 9.0$  ml**

**HEIGHT:  $4.933 \pm 0.030$  Inch**

**WEIGHT:  $27 \pm 2$ g**

**DIAMETER:  $2.505 \pm 0.060$  Inch**

**NECK FINISH: M45SP400**

**BOTTLE PER BOX: 235 (TUMBLE PACK)**

**BOTTLE PER PALLET: 4,700**

**BOTTLE PER 53' TRUCK: 126,900**

**PALLET WEIGHT: 382 lbs**

**STOCK COLORS: White**